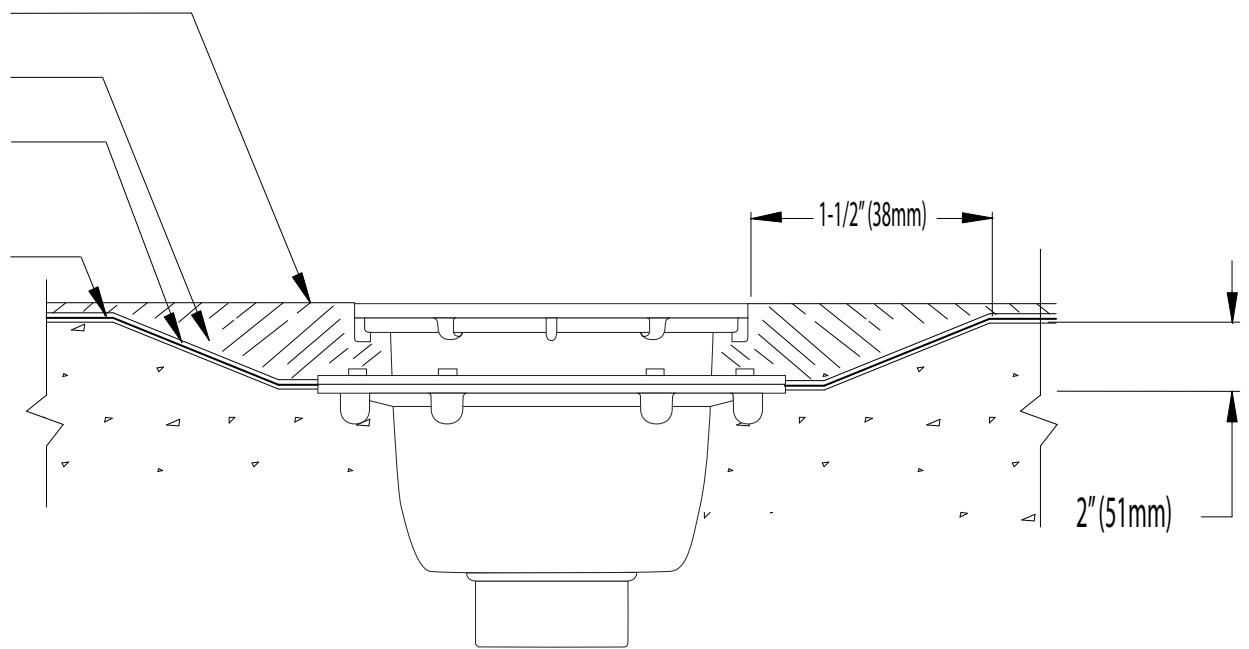


EPOXY FLOORING

KEYED EDGE

ELAST-O-COAT
(20 MIL)

REINFORCED MESH
(16 MIL)



DUR-A-FLEX
INNOVATION FROM THE FLOOR UP

www.dur-a-flex.com

860-528-9838

TITLE

EPOXY FLOORING

TWO PIECE DRAIN - WATERPROOF DETAIL

DATE

12 / 11

SCALE

AS NOTED

DWG NO.

EF-16A

PROJECT